

CHARACTERISTICS

- FOR OIL AND GREASE NLGI 000
- COMPATIBLE WITH 01 SYSTEM
33V SYSTEM
26 SYSTEM
- OPTILEV : THE SOLID STATE OPTICAL SENSOR LEVEL THAT WORKS BOTH OIL AND GREASE NLGI000.
- LEVEL SENSING WITH NPN AND PNP OUTPUT AS STANDARD
- RESERVOIR: 3 OR 6 LT
- DELIVERY: 350CC/MIN (21,35 CU.IN) OR 500CC/MIN (30,5 CU.IN)
- VENT VALVE INCLUDED
- ADJUSTABLE PRESSURE VALVE

APPLICATIONS

- MEDIUM DIMENSION PRESS
- MACHINE TOOLS
- MACHINE FOR PACKAGING PRODUCTION
- REDUCERS
- PRESS FOR PLASTIC INJECTION

EASY AND AFFORDABLE SOLUTION FOR INJECTORS AND PROGRESSIVE SYSTEMS

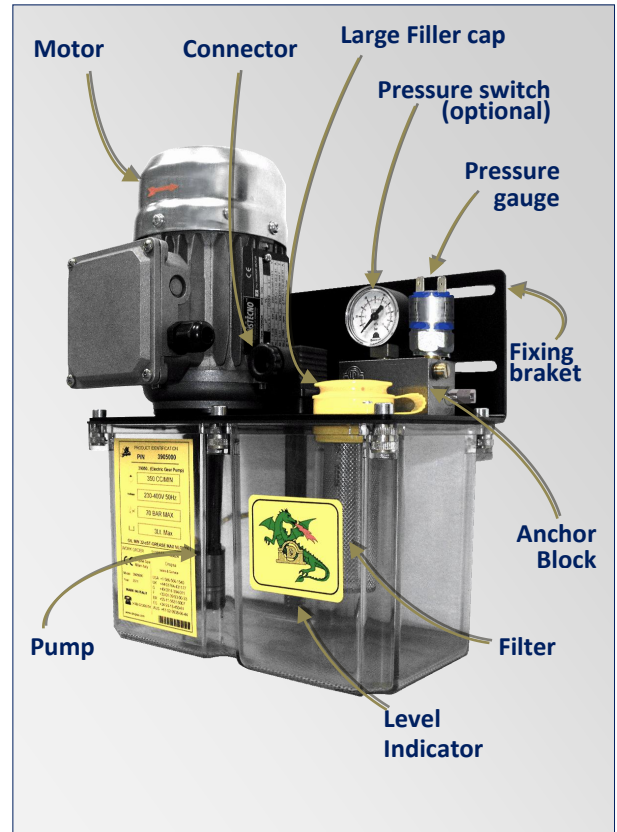
AN EFFICIENT AND ECONOMICAL APPROACH

DRAGON-X is a compact and versatile pump that joins efficiency and performance in a simple all-inclusive pump package for injector and progressive systems both for oil and fluid grease NLGI 000.

EASE OF USE

The external position of the pressure manifold block that houses all the functional components makes it easy to carry out any adjustments and connections.

The reservoir can be filled in a simple and quick manner thanks to the oversized filler cap.



AVAILABLE IN TWO VERSIONS:

- **VERSION WITH FLOATING SWITCH FOR OIL LUBRICATION**

The system with floating level indicator can be used with mineral lubricating oil. The floating level indicator is equipped with voltage free contact and does not require power- allowing interchange-ability with other Dragon series pumps.

The floating level indicator can be easily replaced with the optical one without any modification on the pump.

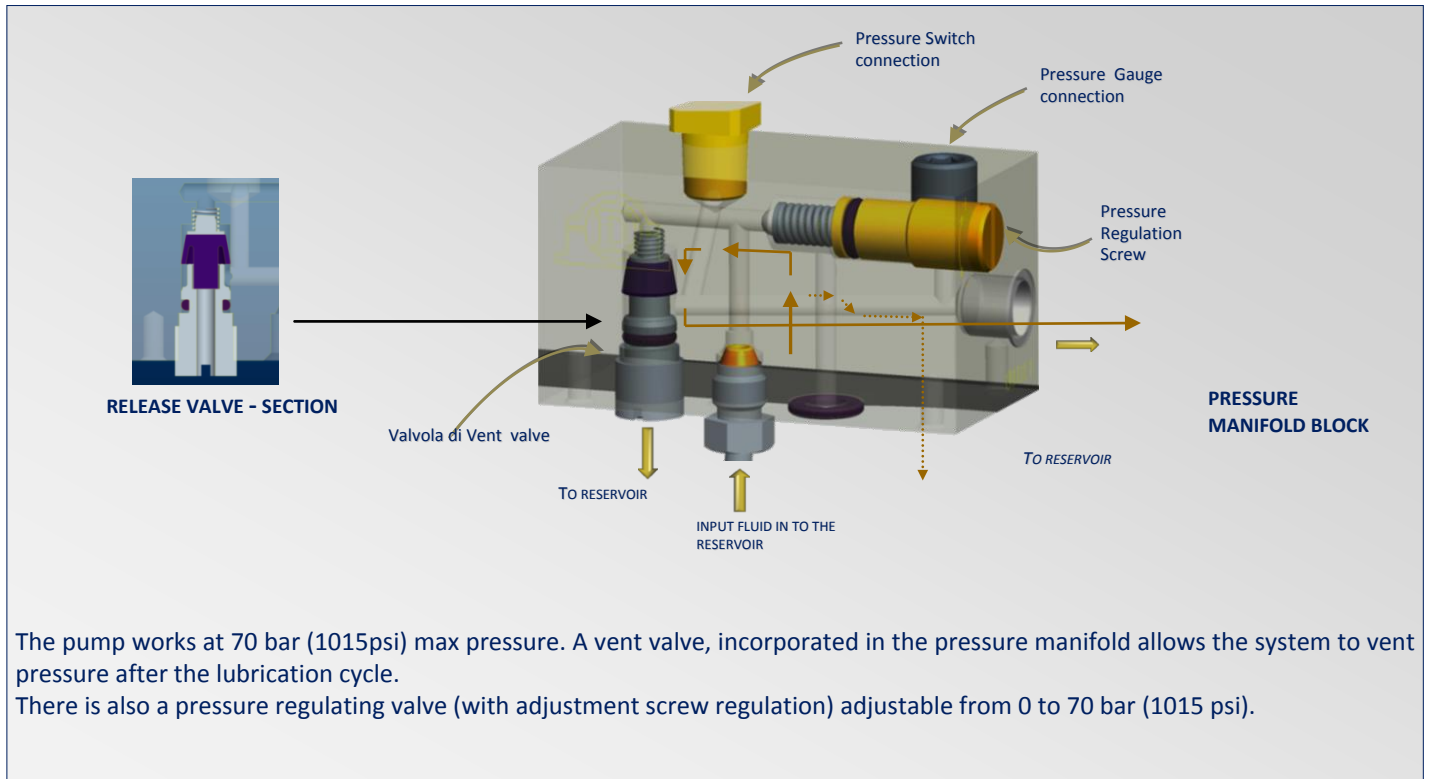
- **VERSION WITH OPTICAL SENSOR LEVEL FOR OIL AND FLUID GREASE LUBRICATION**

The **DRAGON-X** with optical sensor level indicator can be used both oil and fluid grease.

Low level monitoring of lubricant up to NGLI000 is achieved thanks to Dropsa's patented Optical level sensing technology: completely solid state with both NPN and PNP outputs as standard.

A perfect solution for many applications in a single product.

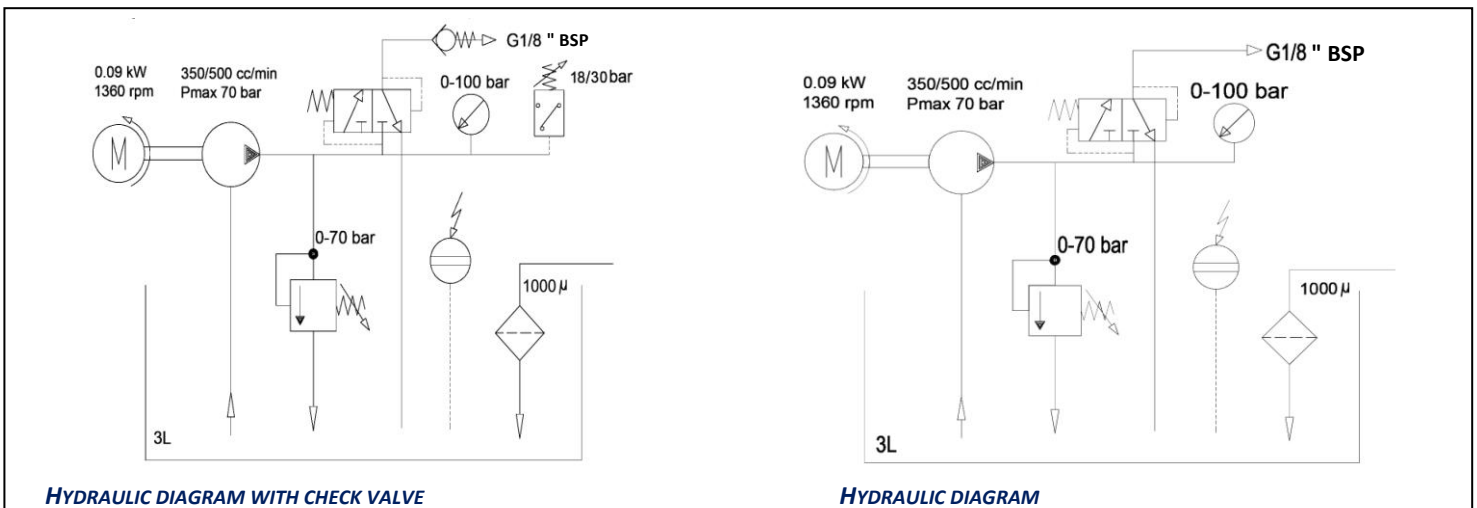
OPERATION PRINCIPLE



SUITABLE FOR:

- Lubrication system with flow restrictors and re-circulating system at working pressure < 20 bar (290psi) - **01 System**
- Lubrication system with injectors with working pressure < 50 bar (735 psi) - **33V System**
- Progressive lubrication system and re-circulating system, using progressive dividers at working pressure < 70 bar (1015 psi) - **26 System**. If needed a check valve can be fitted to the outlet to prevent any pressure venting when backpressure needs to be maintained.

HYDRAULIC DIAGRAMS

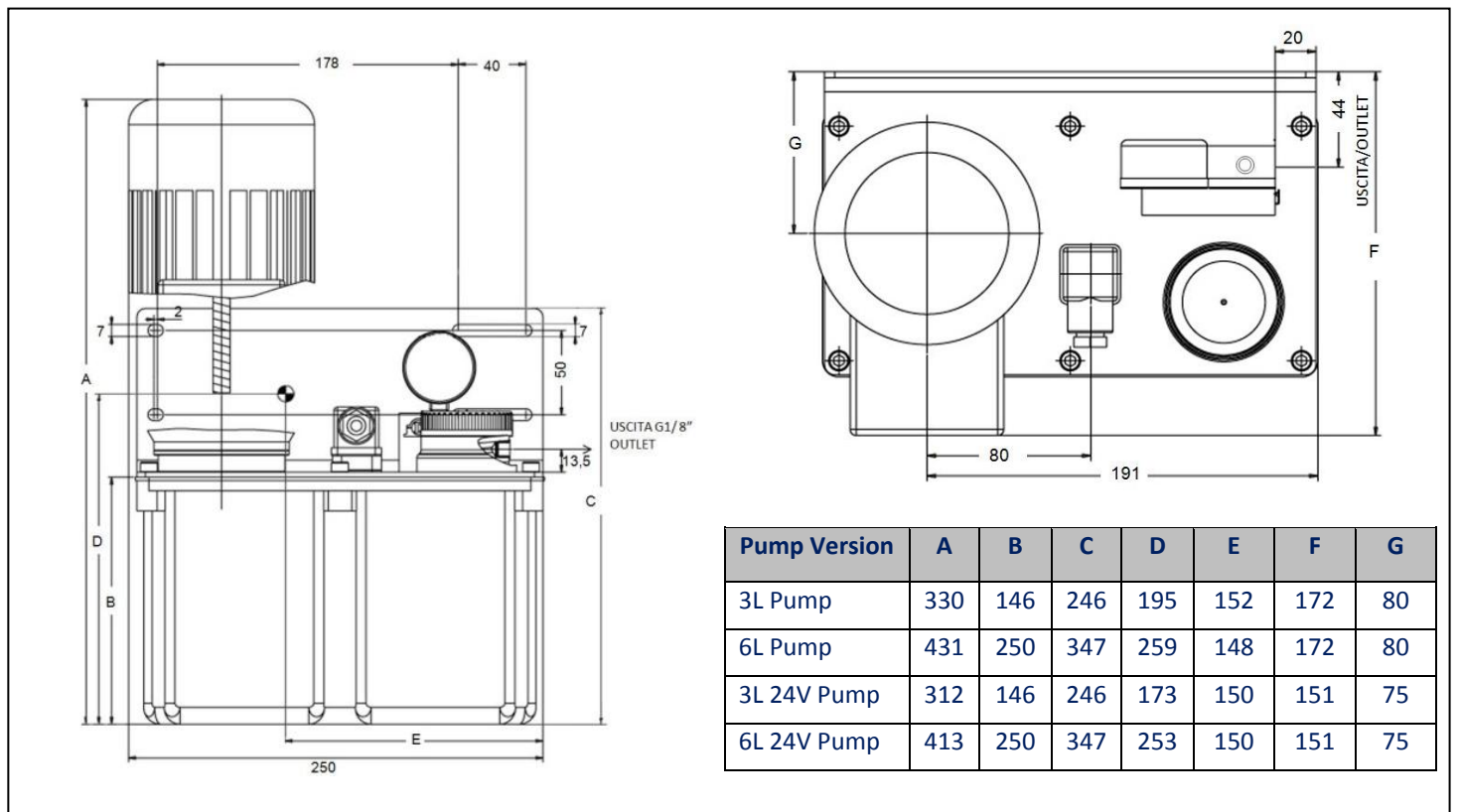


VIP5 IS AN IDEAL CONTROL DEVICE FOR THIS SYSTEM

| TECHNICAL CHARACTERISTICS | |
|---|---|
| Motor degree of protection | IP 55 |
| Minimum level | Optical (oil and fluid grease versions) / With floating switch (only Oil version) |
| Optical power supply level | 8÷28 V DC inversion protected |
| Optical level output signal | Type NPN/PNP short-circuit protected, off in the case of minimum level. Max 1.7A |
| Level connector (optical-floating switch) | DIN 43650 |
| Floating level output signal | Clean contact 50V max voltage, 40 W max power. SPDT Contact. |
| Pressure switch | Contact closed in the case of max calibration pressure alarm |
| Pressure switch output signal | Voltage free contact max voltage 42V, max. power 100 W |
| HYDRAULIC CHARACTERISTICS | |
| Pumping system | Gear pump |
| Maximum operating pressures | - 70 bar -three-phase motor (with intermittent service max 5 min with pause ratio 1:1) - 40 bar (single-phase motor) - max 30 bar with continuous service |
| Outlet connection | G1/8" BSP |
| Tank capacity | 3L/6L |
| Filter | Degree of filtering 1000 μ |
| By-pass | Adjustable 0 ÷ 70 bar – pre-calibrated 40bar (35bar for single-phase motors) |
| Temperature of use | + 5 ÷ + 70 °C |
| Operating humidity | 90 % rel. humidity |
| Permitted lubricants * | Mineral lubricating oil 32 cSt; grease max NLGI000 |
| Storage temperature | -20 ÷ +65 °C |
| Continuous sound pressure level | < 70 dB(A) |

N.b. The specifications refer to the temperature of use of +20°C (+68°F)

OVERALL DIMENSIONS





CONTACTS

sales@dropsa.com

ITALIA

Dropsa SpA
t. +39 02-250791
f.+39 02-25079767

U.K.

Dropsa (UK) Ltd
t. +44 (0)1784-431177
f. +44 (0)1784-438598

GERMANY

Dropsa GmbH
t. +49 (0)211-394-011
f. +49 (0)211-394-013

FRANCE

Dropsa Ame
t. +33 (0)1-3993-0033
f. +33 (0)1-3986-2636

CHINA

Dropsa Lubrication Systems
(Shanghai) Co., Ltd
t. +86 (021) 67740275
f. +86 (021) 67740205

U.S.A.

Dropsa USA Incorporated
t. +1 586-566-1540
f. +1 586-566-1541

AUSTRALIA

Dropsa Australia Pty
t. +61 (02)-9938-6644
f. +61 (0)2-9938-6611

BRAZIL

Dropsa Do Brasil Ind.e
Com.Ltda
t. +55 (0)11-563-10007
f. +55 (0)11-563-19408

ORDERING INFORMATION

| STANDARD VERSIONS | | | | |
|--|-----------|---------------|--|--|
| ELECTRIC MOTOR | FLOW RATE | TANK CAPACITY | PART NUMBER (with optical level to use oil and fluid grease) | PART NUMBER (with float level to use only oil) |
| 230-400 V 50 Hz 3-phase- 0.09 KW 4P 265-460 V 60 Hz 3-phase- 0.11 KW 4P | 350 CC | 3 L | 3905000 | 3905040 |
| | | 6 L | 3905001 | 3905041 |
| | 500 CC | 3 L | 3905004 | 3905044 |
| | | 6 L | 3905009 | 3905049 |
| 110 V 50 Hz single phase – 0,9 KW 4P | 350 CC | 3 L | 3905007 | 3905047 |
| | | 6 L | 3905012 | 3905052 |
| | 500 CC | 3 L | 3905008 | 3905048 |
| | | 6 L | 3905013 | 3905053 |
| 230 V 50 Hz single phase – 0.09 KW 4P | 350 CC | 3 L | 3905005 | 3905045 |
| | | 6 L | 3905010 | 3905050 |
| | 500 CC | 3 L | 3905006 | 3905046 |
| | | 6 L | 3905011 | 3905051 |
| 24V CC | 350 CC | 3 L | 3905002 | 3905042 |
| | | 6 L | 3905003 | 3905043 |
| | 500 CC | 3 L | 3905014 | 3905054 |
| | | 6 L | 3905015 | 3905055 |

N.B. The specifications refer to the temperature of use of +20°C (+68°F)

| SPARE PARTS | | |
|---------------------------|--|-------------|
| ITEM | DESCRIPTION | PART NUMBER |
| PUMP | Flow rate 350 CC | 3099186 |
| | Flow rate 500 CC | 3099187 |
| MOTOR | 230-400 V 50 Hz three-phase- 0.09 KW 4P 265-460 V 60 Hz three-phase- 0.11 KW 4P | 3301544 |
| | 230 V 50 Hz single phase – 0.09 KW 4P | 3301545 |
| | 110 V 50 Hz single phase – 0.09 KW 4P | 3301546 |
| | 24V CC rpm | 3301283 |
| OPTICAL SENSOR LEVEL | For the 3L tank | 1639201 |
| | For the 6L tank | 1639202 |
| FLOAT ING LEVEL INDICATOR | For the 3L tank | 3133627 |
| | For the 6L tank | 3133628 |
| DISTRIBUTOR BLOCK | | 1525370 |
| TANK | 3 L | 6770033 |
| | 6 L | 6770006 |
| PRESSURE GAUGE | 0 -100 bar | 0020564 |

| ACCESSORIES | | |
|---------------------|-----------------------------|-------------|
| ITEM | DESCRIPTION | PART NUMBER |
| PRESSURE SWITCH | Calibration pressure 3 Bar | 3291028 |
| | Calibration pressure 18 Bar | 3291048 |
| | Calibration pressure 30 Bar | 3291022 |
| PRESSURE SWITCH CAP | | 3042098 |
| PRESSURE GAUGE | 0 -16 bar | 0020566 |
| NON-RETURN VALVE | | 0092335 |