

## CHARACTERISTICS

- USED OIL AND FLUID GREASE
- RESERVOIR: 2L-3L
- PROGRAMMABLE ELECTRONIC BOARD
- MULTIPLE CONNECTOR OPTIONS

## THE SIMPLE SOLUTION FOR OIL AND FLUID GREASE LUBRICATION

Compact and versatile SMART<sup>3</sup> & SIMPLE pump is engineered to lubricate quickly and easily your systems.

The control board allows to program easily the timing of cycle lubrication setting lubrication time and stand-by time cycle.

SMART<sup>3</sup> & SIMPLE is ideal for application in Single Line, typically Dropsa 01 line or 33V injector systems.

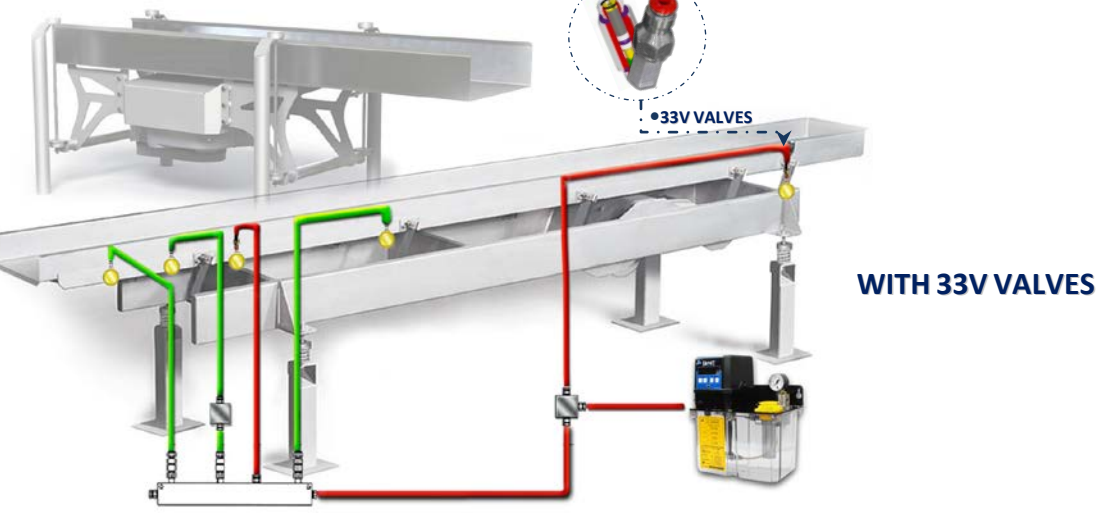
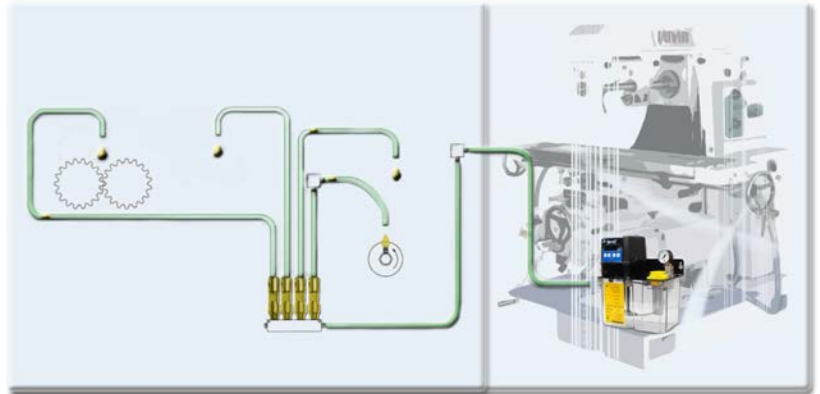


THANKS TO "TIMER" MODE YOU CAN SET IN A QUICK AND EASY WAY, WITH 4 BUTTONS ON THE PANEL, TIMES OF LUBRICATION AND PAUSE TIME.



## APPLICATION EXAMPLES

### WITH DROPSA 01 SYSTEM

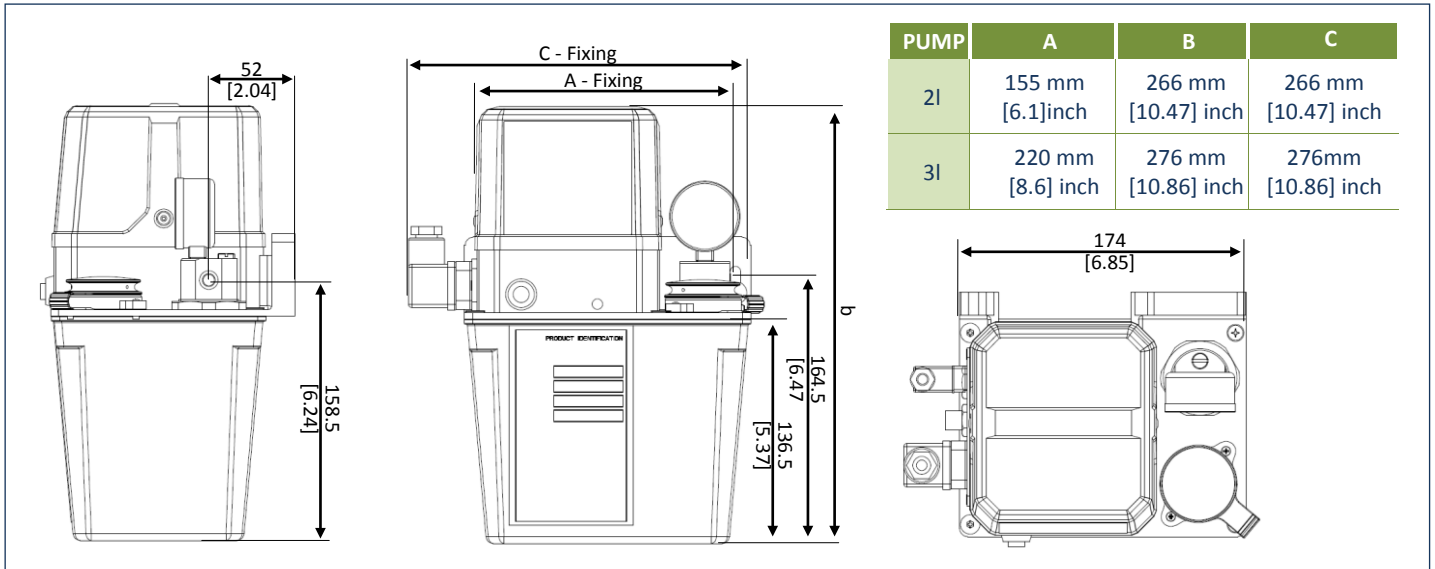


WITH 33V VALVES

## APPLICATIONS

- ANY SMALL AND MEDIUM OIL OR FLUID GREASE SYSTEM
- TOOL MACHINES

### DIMENSIONS (NOT TO SCALE)



### TECHNICAL SPECIFICATIONS

|   |  |  |   |
|---|--|--|---|
| <b>Motors</b>   | 110V -2p- 50/60 Hz 140/175W - (2800/3500 rpm)<br>230V - 2p- 50 Hz 135 W - (2800 rpm)<br>230V - 2p- 60 Hz 170 W - (3500 rpm)<br>24 V CC - 55 W - (2800 rpm) | <b>Min level optical sensor indicator (Oil 32 cSt-320 cSt ;Grease max NLGI000)</b> | NPN / PNP protected against short circuit, off in case of low level |
| <b>Min Level floating switch indicator (oil only)</b> | With NC contact in case of liquid  | <b>Permitted lubricants*</b>   | Oil 32 cSt-320 cSt ; Grease max NLGI000;                            |
| <b>Continuous sound pressure level</b>                | < 70 dB(A)   | <b>Max working time Continuous of the pump</b>                                     | 1 min   |
| <b>Flow rate</b>                                      | 180 dc/min @ 2800 rpm<br>220 dc/min @ 3500 rpm   | <b>operating pressures Maximum</b>   | 3~30 bar  |
| <b>Operating temperature</b>                          | + 5 ÷ + 60 °C  | <b>Operating humidity</b>  | 90% R.H.  |
| <b>Pressure switch</b>                                | 10÷20bar - 18 bar preset   | <b>Conservation Temperature</b>  | -20 ÷ +80 °C  |
| <b>Outlet connection</b>                              | G1/8" BSP  | <b>Filter</b>  | Degree of filtration 1000 µ   |
| <b>By-pass</b>  | Adjustable 0÷30 bar – preset 25 bar  | <b>Minimum stand-by time</b>   | 5 times T-on  |

### ORDER INFORMATION

#### SMART<sup>3</sup> & SIMPLE

| LEVEL   | ALARM         | POWER           | PART NO        |                |
|---------|---------------|-----------------|----------------|----------------|
|         |               |                 | RESERVOIR 2L   | RESERVOIR 3L   |
| Optical | Contact NO/NC | 24Vdc           | <b>4012018</b> | <b>4012318</b> |
|         |               | 110Vac-50/ 60Hz | <b>4012118</b> | <b>4012418</b> |
|         |               | 230Vca 50Hz     | <b>4012218</b> | <b>4012518</b> |
|         |               | 230Vca 60Hz     | <b>4012618</b> | <b>4012718</b> |

| SPARE PARTS         |                                       |                |
|---------------------|---------------------------------------|----------------|
| ITEM                | DESCRIPTION                           | PART NO        |
| <b>PUMP</b>         | 180 DC Flow rate                      | <b>3099166</b> |
|                     | 110Vca 50/60Hz monofase - 140/175W 2P | <b>3301565</b> |
| <b>MOTOR</b>        | 230Vca 50Hz monofase - 135W 2P        | <b>3301567</b> |
|                     | 230Vca 60Hz monofase - 170W 2P        | <b>3301600</b> |
|                     | 24Vcc                                 | <b>3301582</b> |
| <b>Cycle sensor</b> | Magnetic                              | <b>1655763</b> |
|                     | Optical                               | <b>1639201</b> |
| <b>FILTER</b>       | 1000µ grade                           | <b>3130466</b> |
| <b>RESERVOIR</b>    | 2 l                                   | <b>6770102</b> |
|                     | 3 l                                   | <b>6770033</b> |

| SPARE PARTS                |  |                |
|----------------------------|--|----------------|
| ITEM                       | DESCRIPTION                                | PART NO        |
| <b>PRESSURE/OUTLET</b>     | NA 10~20 bar set.18bar                     | <b>3291048</b> |
| <b>MANIFOLD</b>            | NC 10~20 bar set.18bar                     | <b>3291035</b> |
| <b>PRESSURE GAUGE</b>      | 0-100 bar                                  | <b>0020564</b> |
| <b>CONTROL PCB</b>         | 110Vca                                     | <b>1639225</b> |
|                            | 230Vca                                     | <b>1639224</b> |
|                            | 24Vcc                                      | <b>1639226</b> |
| <b>CONNECTOR M12 X 1</b>   | 5 poles plug connector female              | <b>0039170</b> |
| <b>DIN 43650 CONNECTOR</b> | 3 poles / heart -female- PG9 output cables | <b>0039976</b> |