

TECREEL

Self Retracting Hydraulic Hose Reels

TECREEL for Crane Applications • Lorry Mounted Crane Applications • Forklift Truck Applications • Offshore Applications • Container Crane Applications.

TYPE 375

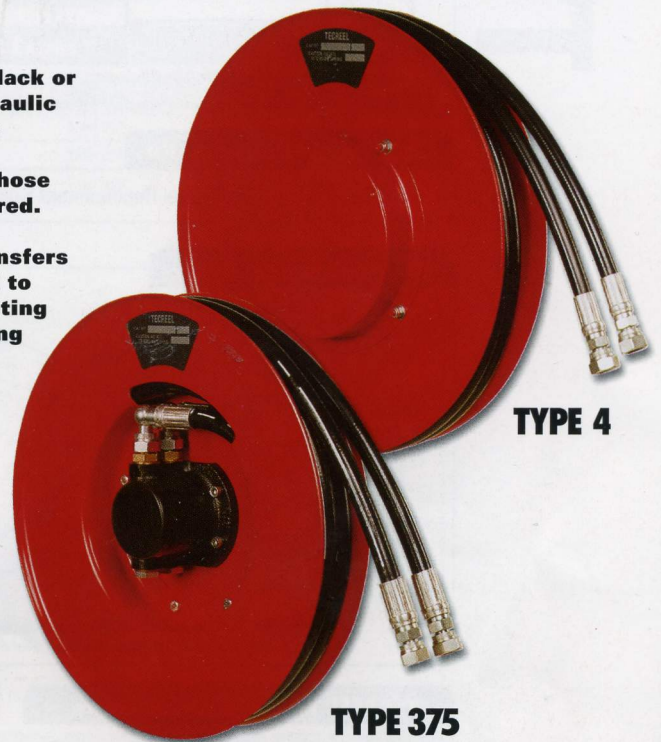
- Maximum operating pressure 300 Bar (4350 lbf/in²).
- Large ports provide efficient flow characteristics.
- Siamese 1/4in, 5/16in, 3/8in or 1/2in bore thermoplastic hoses.
- Cassette loaded coil spring for safety and easy removal.
- Left or right hand mounted, easily changeable on site.

TYPE 4

- Maximum pressure 170 Bar (2500 lbf/in²).
- Improved fluid flow.
- Siamese 1/4in or 5/16in bore thermoplastic hoses.
- Easy maintenance.
- A low cost competitively priced reel.

Tecreel - eliminates slack or trailing hydraulic hoses where continuous variation of hose length required.

Tecreel - transfers hydraulic oil to moving, rotating and swivelling parts.



TYPE 4

TYPE 375



**TECREEL
TYPE 375
TYPE 4**

TECREEL hydraulic systems - high pressure flexible hoses.

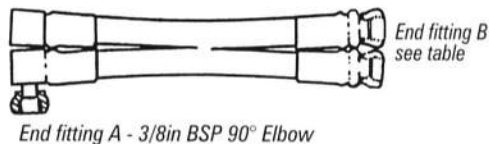
TYPE 375

TECREEL TYPE 375 Performance Data

Flow Rate Per Minute	PRESSURE DROP	
	With twin 4.5m (15ft) hoses 5/16in bore	With Twin Hoses 5m (16ft) hoses 3/8in bore
22.7 Litres (5 Gall)	17 Bar (246 lb/in ²)	8 bar (116 lb/in ²)
45.5 Litres (10 Gall)	36 Bar (522 lb/in ²)	19 Bar (275 lb/in ²)

The above figures are based on SHELL Tellus 37; viscosity 55/63 cSt

TECREEL TYPE 375 Hose Assembly



TECREEL TYPE 375 Seal Kit

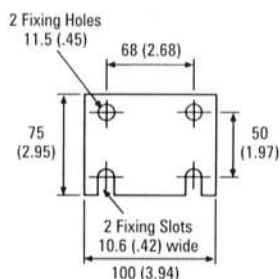
51892	375 Tecreel Replacement Seal Kit
-------	----------------------------------



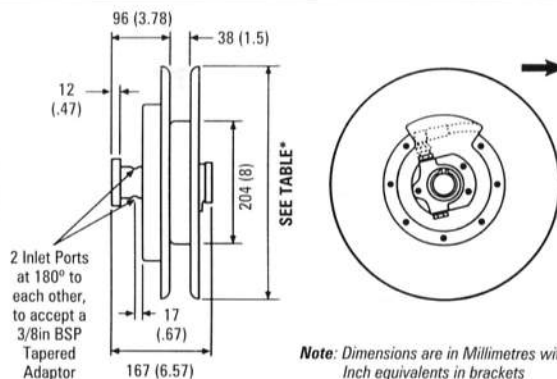
Optional Extras The following tapered shaft inlet adaptors are available

Part no.	Threads		
G04R06	3/8in BSP.T.	x	1/4in BSP
G06R06	3/8in BSP.T.	x	3/8in BSP
34873-609	3/8in BSP.T.	x	M16 x 1.5
34873-211	3/8in BSP.T.	x	9/16in JIC

Mounting bracket Detail



The illustration shows a right hand mounting
Left hand mount is simply the reverse of this



TECREEL TYPE 375 Part Numbers

TL = left Hand Mounting
TR = Right Hand mounting

*Pull off length with 1.5 pretension spring turns.

Tecreel Part no	Replacement hose part no	Hose length	Pull off length	Hose bore	End fitting B
TL/TR31800	* Flange Dia. is 318mm (12.5in)				
TL/TR31800-401	V04104206-4100	4100mm	4000mm	1/4in	1/4 BSP
TL/TR31800-501	V05106206-3500	3500mm	3400mm	5/16in	3/8in BSP
TL/TR31800-502	V05206509-3500	3500mm	3400mm	5/16in	9/16in-JIC
TL/TR31800-508	V05206414-3500	3500mm	3400mm	5/16in	M16 x 1.5
TL/TR31800-601	V06106206-2700	2700mm	2600mm	3/8in	3/8in BSP
TL/TR31800-606	V06206414-2700	2700mm	2600mm	3/8in	M16 x 1.5
TL/TR38000	* Flange Dia. is 380mm (15in)				
TL/TR38000-404	V04104206-6500	6500mm	6400mm	1/4in	1/4in BSP
TL/TR38000-408	V04206414-6500	6500mm	6400mm	1/4in	M16 x 1.5
TL/TR38000-504	V05106206-5600	5600mm	5500mm	5/16in	3/8in BSP
TL/TR38000-506	V05206509-5600	5600mm	5500mm	5/16in	9/16in-JIC
TL/TR38000-509	V05206414-5600	5600mm	5500mm	5/16in	M16 x 1.5
TL/TR38000-603	V06106206-4900	4900mm	4800mm	3/8in	3/8in BSP
TL/TR38000-607	V06206414-4900	4900mm	4800mm	3/8in	M16 x 1.5
TL/TR 45700	* Flange Dia. is 457mm (18in)				
TL/TR45700-308	PNS40099	11m	8500mm	1/4in	1/4 in BSP
TL/TR45700-311	PNS40098	11m	8500mm	1/4in	M16 x 1.5
TL/TR45700-511	V05106206-9300	9300mm	8300mm	5/16in	3/8in BSP
TL/TR45700-507	V05206509-9300	9300mm	8300mm	5/16in	9/16in-JIC
TL/TR45700-510	V05206414-9300	9300mm	8300mm	5/16in	M16 x 1.5
TL/TR45700-604	V06106206-7300	7300mm	7200mm	3/8in	3/8in BSP
TL/TR45700-608	V06206414-7300	7300mm	7200mm	3/8in	M16 x 1.5
TL/TR38004	* Flange Dia. is 380mm (15in)				
TL/TR38004-312	V08106206-3900	3900mm	3700mm	1/2in	3/8in BSP
TL/TR38004-306	V08108206-3900	3900mm	3700mm	1/2in	1/2in BSP
TL/TR45704	* Flange Dia. is 457mm (18in)				
TL/TR45704-313	V08106206-6200	6200mm	6000mm	1/2in	3/8in BSP
TL/TR45704-307	V08108206-6200	6200mm	6000mm	1/2in	1/2in BSP

Also available with low torque longer life spring cassette variation 22 (eg TR38022)

Larger dia. Tecreels are available for longer hose pull-offs.

TYPE 375

