

AIR-OPERATED GREASE PUMPS - Series 600

Ratio **50:1** - Capacity **1500 g/min**

Polyurethane seals

Series 600 air-operated grease pumps for short/long distance distribution, for high pressure greasing. Ideal to dispense medium/high-viscosity grease. Suitable for both mobile installations and fixed centralized systems.



Art. 0A11141



Art. 0A11148



Art. 0A11174



Art. 0A11195

Art. 0A11141

Air-operated grease pump for 16 - 20 kg trade drums with **410 mm suction tube**

N° 1 packing m^3 0,010 Kg 4,6

Art. 0A11148

Air-operated grease pump for 20 - 30 kg trade drums with **480 mm suction tube**

N° 1 packing m^3 0,010 Kg 4,8

Art. 0A11174

Air-operated grease pump for 50 - 60 kg trade drums with **740 mm suction tube**

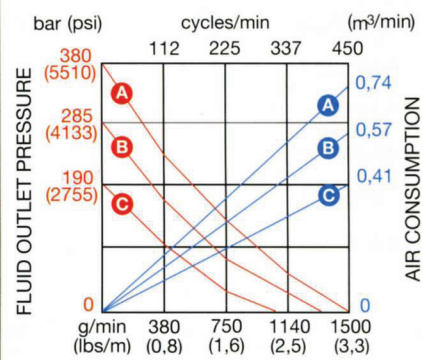
N° 1 packing m^3 0,020 Kg 6,1

Art. 0A11195

Air-operated grease pump for 180 - 220 kg trade drums with **940 mm suction tube**

N° 1 packing m^3 0,020 Kg 6,7

A 8 bar (116 psi) **B** 6 bar (87 psi) **C** 4 bar (58 psi)



KIND OF FLUID: grease NLGI 1 - 20 °C

Article	0A11141	0A11148	0A11174	0A11195	0A11274	0A11295
Compression ratio	50:1	50:1	50:1	50:1	65:1	65:1
Air inlet connection	F 1/4" G	F 1/4" G	F 1/4" G	F 1/4" G	F 1/4" G	F 1/4" G
Grease outlet connection	F 3/8" G	F 3/8" G	F 3/8" G	F 3/8" G	F 3/8" G	F 3/8" G
Air working pressure	6 - 8 bar	6 - 8 bar	6 - 8 bar	6 - 8 bar	6 - 8 bar	6 - 8 bar
Air max. pressure	8 bar	8 bar	8 bar	8 bar	8 bar	8 bar
Average air consumption	130 l/min	130 l/min	130 l/min	130 l/min	240 l/min	240 l/min
Relative flowrate (free outlet at 6 bar)	1500 g/min	1500 g/min	1500 g/min	1500 g/min	1900 g/min	1900 g/min
Noise level	81 dB	81 dB	81 dB	81 dB	81 dB	81 dB
Suitable for drums	16 - 20 Kg	20 - 30 Kg	50 - 60 Kg	180 - 220 Kg	50 - 60 Kg	180 - 220 Kg
Suction tube length	410 mm	480 mm	740 mm	940 mm	740 mm	940 mm
Suction tube diameter	30 mm	30 mm	30 mm	30 mm	30 mm	30 mm

AIR-OPERATED GREASE PUMPS - Series 700

Polyurethane seals

Ratio **65:1** - Capacity **1900 g/min**

Art. 0A11274

Air-operated grease pump
for 50 - 60 kg trade drums with
740 mm suction tube

N° 1 packing m³ 0,020 Kg 7,4

Art. 0A11295

Air-operated grease pump
for 180 - 220 kg trade drums with
940 mm suction tube

N° 1 packing m³ 0,020 Kg 8,2

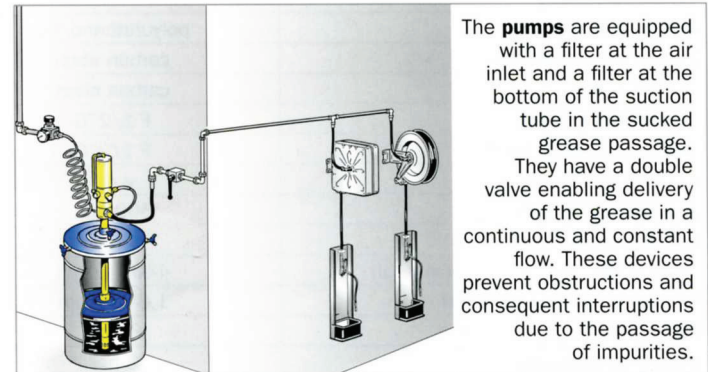
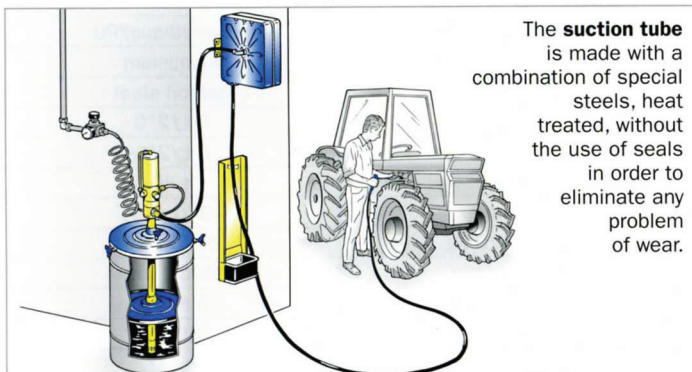
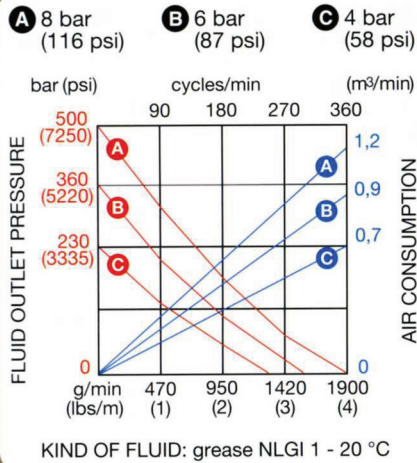
Series 700 air-operated grease pumps for short/long distance distribution, for high pressure greasing. Ideal to dispense medium/high-viscosity grease. Suitable for fixed centralized systems. Recommended for the delivery of a big quantity of grease at high pressure.



Art.
0A11295



Art.
0A11274



AIR-OPERATED GREASE PUMPS - Series 900

Ratio **45:1** - Capacity **4400 g/min**

Polyurethane seals

Series 900 industrial air-operated grease pumps for short/long distance distribution, for high pressure greasing. Ideal for transferring grease and high-viscosity oil. The double action guarantees the delivery of a continuous and constant flow, suitable for the numerous needs of modern industry. The high quality of the materials used and the anticorrosion treatments reduce internal friction and limit wear over time.



Art. **OAF90451**

Art. **OAF91451**

Art. OAF90451

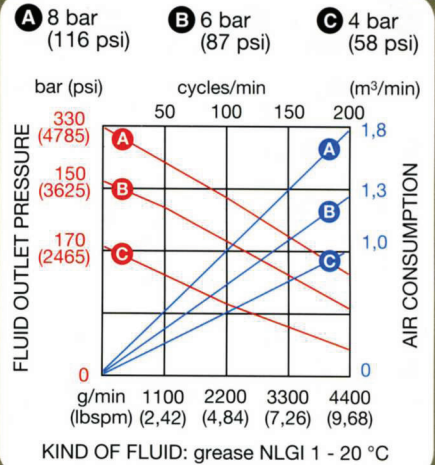
Air-operated grease pump for tanks. Can be used also in horizontal position. **500 mm suction tube**

N° 1 packing m^3 0,045 Kg 16

Art. OAF91451

Air-operated grease pump for 180 - 220 kg trade drums with **940 mm suction tube**

N° 1 packing m^3 0,070 Kg 19



Article	OAF90451	OAF91451	OAC91701
Compatible fluids		grease, high viscosity oil	
Type of seals	polyurethane/PU	polyurethane/PU	polyurethane/PU
Suction tube upper body	carbon steel	carbon steel	aluminium
Suction tube	carbon steel	carbon steel	carbon steel
Air inlet connection	F 1/2"G	F 1/2"G	F 1/2"G
Fluid outlet connection	F 1/2"G	F 1/2"G	F 1/2"G
Suction tube diameter	ø 45	ø 45	ø 45
Suction tube length	500 mm	940 mm	940 mm
Suitable for drums	tanks	180 - 220 Kg	180 - 220 Kg
Relative flowrate (free outlet at 6 bar)	4400 g/min	4400 g/min	3000 g/min
Max. air consumption 8 bar	1,6 m³/min	1,6 m³/min	1,6 m³/min
Noise level	80 dB	80 dB	80 dB
Max. feed pressure	8 bar	8 bar	8 bar

AIR-OPERATED GREASE PUMPS - Series 900

Polyurethane seals

Ratio **70:1** - Capacity **3000 g/min**

Art. OAC91701

Air-operated grease pump
for 180 - 220 kg trade drums with
940 mm suction tube

N° 1 packing m³ 0,070 Kg 21

Series 900 industrial air-operated grease pumps for short/long distance distribution, for high pressure greasing. Ideal for transferring grease and high-viscosity oil. The double action guarantees the delivery of a continuous and constant flow, suitable for the numerous needs of modern industry. The high quality of the materials used and the anticorrosion treatments reduce internal friction and limit wear over time.



Art.
OAC91701

